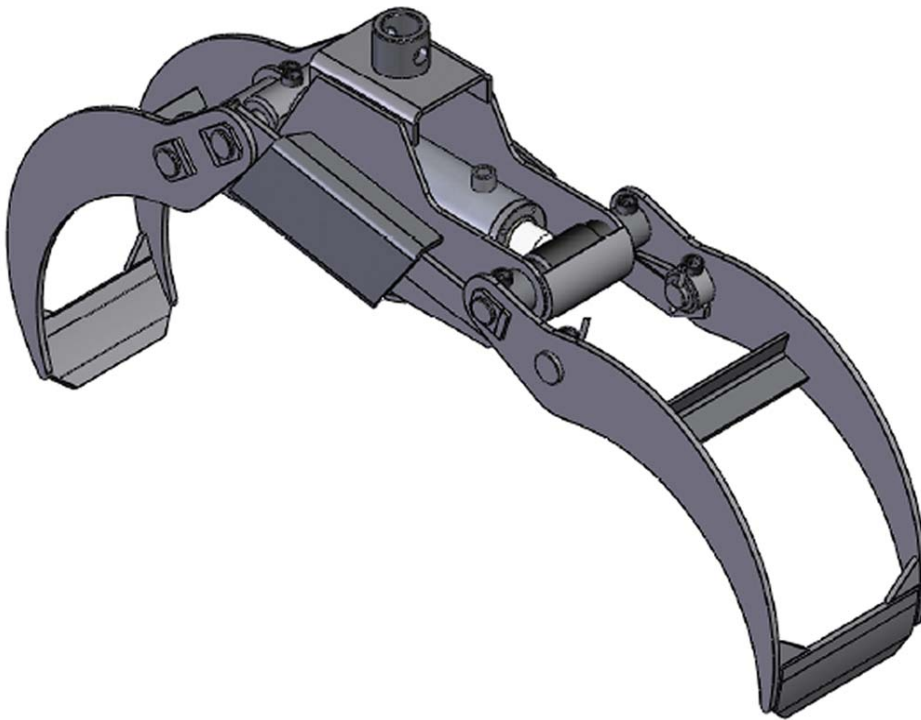
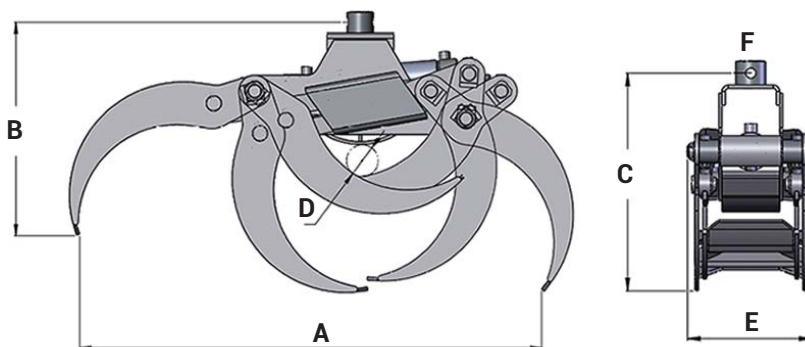


# TIGERGRIP | TG 22-50



## KEY FEATURES

- Double guide bars
- Optimized roll in/roll out properties
- High pressure cylinder with double piston rod seals



<b>A</b>	1310
<b>B</b>	606
<b>C</b>	544
<b>D</b>	90
<b>E</b>	311
<b>F</b>	50/25

## MODEL SPECIFICATIONS



TG 22-50

98

0,22

200

50

13,5

3

1,5

# INTERMERCATO

High performance lift and load attachments for Forestry, Transport, Construction and Recycling.

